

Series UR-V630K 6,3 tấn

**UNIC**  
UNIC HYDRAULIC CRANE

**V630 SERIES**  
Truck Mounted UNIC Crane  
URV630 Series

Maximum lifting capacity  
**6,350kg**  
at 2.0m



**UR-V633**

**UR-V634**

**UR-V635**



[chuyendunghiephoa.com](http://chuyendunghiephoa.com)  
0934 68 68 03

**UNIC**  
UNIC HYDRAULIC CRANE

**V630 SERIES**  
Truck Mounted UNIC Crane  
URV630 Series

Maximum lifting capacity  
**6,350kg**  
at 2.0m



**UR-V633**  
**UR-V634**  
**UR-V635**



[chuyendunghiephoa.com](http://chuyendunghiephoa.com)  
0934 68 68 03



Specification Table

Model	URV633	URV634	URV635
Maximum Lifting Capacity	6,350kg at 2.0m	6,350kg at 2.8m	6,350kg at 3.0m
Maximum Hook Weight	14.5m	15.4m	16.3m
Working Radius	Min: 9.7m to Max: 13.1m	Min: 9.7m to Max: 13.5m	Min: 9.7m to Max: 13.9m

UNIC UR-V630 Series	
Model	Capacity (kg)
UR-V633	6350
UR-V634	6350
UR-V635	6350

UNIC UR-V630 Series	
Model	Capacity (kg)
UR-V633	6350
UR-V634	6350
UR-V635	6350

Series UR-V630K 6,3 tấn  
Giá bán: Chưa có đánh giá

**1-4 Weeks**



[Hỏi về sản phẩm này](#)

Nhà sản xuất [FURUKAWA UNIC](#)

Dòng UR-V630 dành cho xe tải 4x2 có tổng trọng lượng từ 15,5 tấn đến dòng xe 8x4 có tổng trọng lượng 32 tấn

Tải trọng nâng max 6.350 kg - Chân chống vuông thẳng hàng



**Maximum lifting capacity**  
**6,350kg**  
**at 2.0m**



**UR-V633**  
**UR-V634**  
**UR-V635**



**chuyendunghiephoa.com**  
**0934 68 68 03**

Cần cẩu Unic series UR-V630 với các model:

- UR-V633 - 3 đoạn cần
- UR-V634 - 4 đoạn cần
- UR-V635 - 5 đoạn cần

# UNIC

UNIC HYDRAULIC CRANE



**630 SERIES**  
Truck Mounted UNIC Crane  
URV630 Series

Maximum lifting capacity

**6,350kg**  
at 2.0m



## Specification Table

Model	URV635	URV634	URV633
Maximum Lifting Capacity	6,350kg at 2.0m	6,350kg at 2.0m	6,350kg at 2.0m
Maximum Hook Height	14.9m	12.4m	10.0m
Working Radius	Min. 0.74m to Max. 13.14m	Min. 0.70m to Max. 10.63m	Min. 0.69m to Max. 8.13m
Boom Length	Min. 3.78m to Max. 13.38m	Min. 3.60m to Max. 10.87m	Min. 3.54m to Max. 8.37m
Boom Sections	5	4	3
Boom Raising Speed	1° to 78° /12s		
Winch Single Line Pull	10.30kN [1,050kgf]		
Winch Hook Speed	16.2m/min at 4th layer with 4-part line 10.8m/min at 4th layer with 6-part line		10.8m/min at 4th layer with 6-part line
Winch Wire Rope	IWRC 6×P·WS(26) 8mm×80m [Breaking strength: 53.0kN [5,400kgf]]		
Slewing Range/Speed	360° Continuous/2.5rpm		
Outrigger Span	Retracted:2.19m Extended:4.8m Mid-extended:3.3m, 4.3m		
Safety Devices	Pressure Relief Valve for Hydraulic Circuit / Counterbalance Valves for Boom Raising and Boom Telescoping Cylinders / Pilot-operated Check Valves for Vertical Outrigger Cylinders / Boom Angle Indicator / Hook Safety Latch / Automatic Mechanical Brake for Winch Loadmeter / Overwinding Alarm / Alarm Buzzer / Level		
Option	Overloading Alarm / Automatic Stop for Overwinding / Rear Outrigger / Hook Stow System / Hydraulic Horizontal Extension Outrigger		
Crane Mass	1,870kg	1,750kg	1,625kg

**FURUKAWA UNIC CORPORATION**

**URV635 Rated Loads (Unit:kg)**

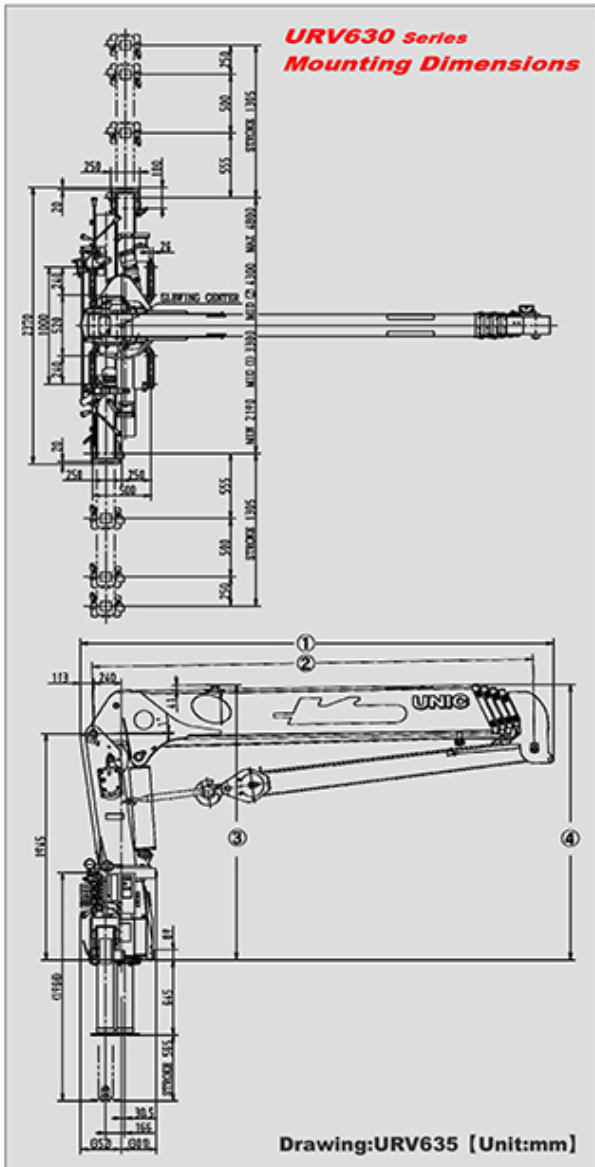
Boom length(m) Jacking radius	2.0	2.4	2.9	3.5	4.0	4.5	5.0	5.5	6.0	7.0	8.0	9.0	10.0	11.0	12.0	13.14	No. of lines to block
3.78m ①	6350	5050	3950	3000(3m)	3200(3.54m)												6
6.18m ①+②		4050	3950	3250	2750	2450	2150	1900	1700(5.94m)								6
8.58m ①+②+③			3050	3050	2750	2450	2150	1900	1650	1350	1100(8.34m)						6
10.98m ①+②+③+④					1850	1850	1750	1600	1450	1250	1050	900	800	750(10.74m)			4
13.38m ①+②+③+④					1350	1350	1300	1200	1100	950	850	750	650	600	550	500	4

**URV634 Rated Loads (Unit:kg)**

Boom length(m) Jacking radius	2.0	2.4	2.9	3.5	4.0	4.5	5.0	5.5	6.0	7.0	8.0	9.0	10.0	10.59	No. of lines to block
3.60m ①	6350	5050	3950	3500(3.32m)											6
6.03m ①+②		4050	3950	3250	2750	2450	2150	1900	1800(5.75m)						6
8.45m ①+②+③			3050	3050	2750	2450	2150	1900	1650	1350	1100(8.17m)				6
10.87m ①+②+③+④					1850	1850	1750	1600	1450	1250	1050	900	800	750	4

**URV633 Rated Loads (Unit:kg)**

Boom length(m) Jacking radius	1.5	2.0	2.5	2.9	3.5	3.7	4.5	5.0	5.5	6.0	6.5	7.0	7.5	8.13	No. of lines to block
3.54m ①	6350	6350	500(2m)	4050	3500(3.3m)										6
5.97m ①+②			4050	4050	3250	3050	2550	2250	2000	1900(5.73m)					6
8.37m ①+②+③			3050	3050	3050	3050	2550	2250	2000	1750	1600	1450	1350	1250	6



**NOTE**

- Fully extend all outriggers on solid, level surface leveling vehicle.
- Rated loads shown in the chart are based on the crane strength rather than stability.
- Rated loads shown must be reduced in accordance with vehicle weight, loaded condition of truck, crane mounting position, wind, ground condition and operating speed.
- The mass of hook(50kg), slings, and any accessories attached to the boom or loadline must be deducted from the above rated loads in the chart.
- In accordance with our policy of constant product improvement, all specifications are subject to change without notice or obligations.

**URV630 Series Mounting Dimensions**

No.	URV635	URV634	URV633
①	4,062	3,882	3,822
②	Min.3,780~Mid.6,180~8,580~10,980~Max.13,380	Min.3,600~Mid.6,030~8,450~Max.10,870	Min.3,540~Mid.5,970~Max.8,370
③	2,366	2,320	2,320
④	2,370	2,327	2,327

**FURUKAWA UNIC CORPORATION**  
 3-14, Nihonbashi Muromati 2-chome, Chuo-ku, TOKYO 103-0022 JAPAN  
 Phone: (81-3)3231-8613 / Facsimile: (81-3)3231-8261  
 URL: <http://www.furukawaunic.co.jp>

===  
**Hotline: 0934686803**

**Nhận xét**

Thứ năm, 24 Tháng 11 2022

Unic 6,3 tấn tối ưu cho những yêu cầu làm việc dưới 10m.

Chuyên Dùng Hiệp Hòa